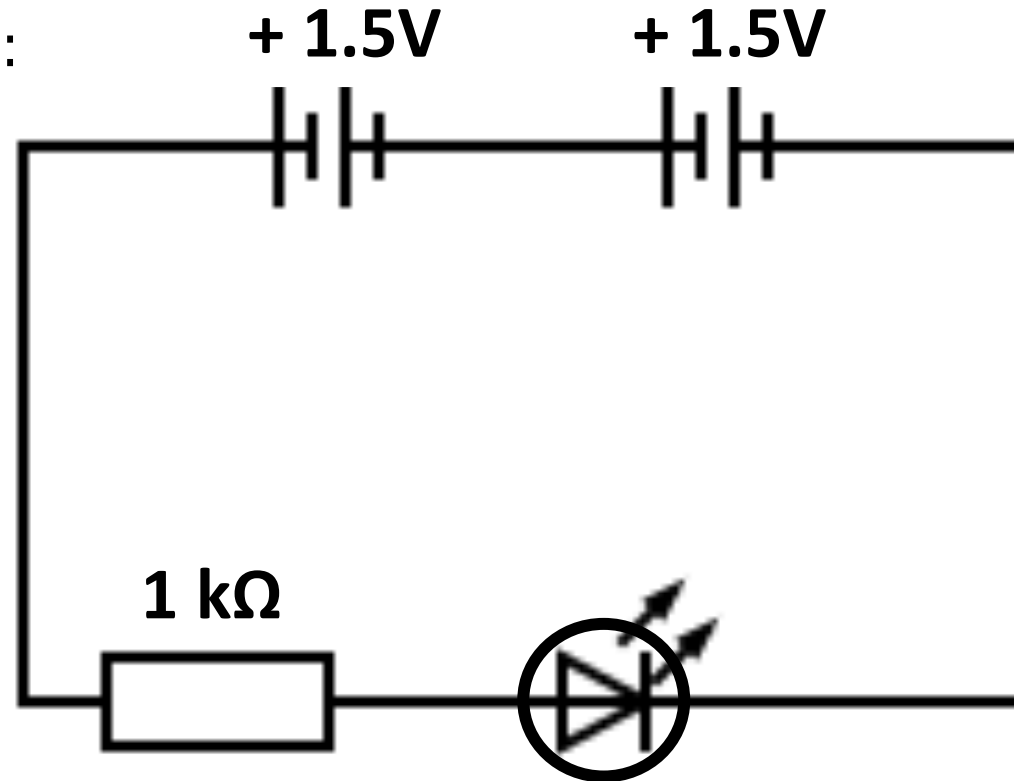

Intro to Circuits

BRONZE Challenge:

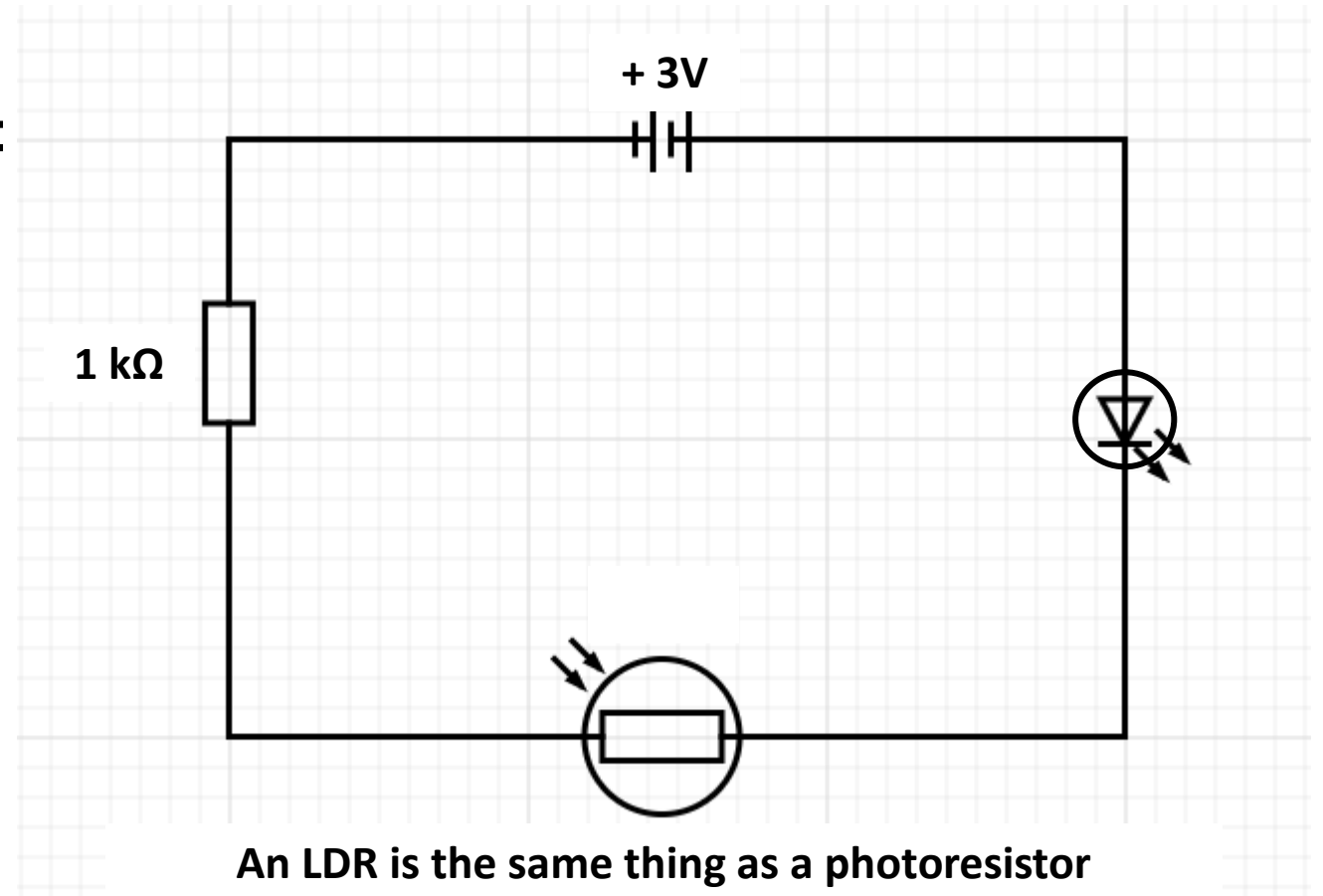
Recreate this circuit in TinkerCAD:



SILVER Challenge:

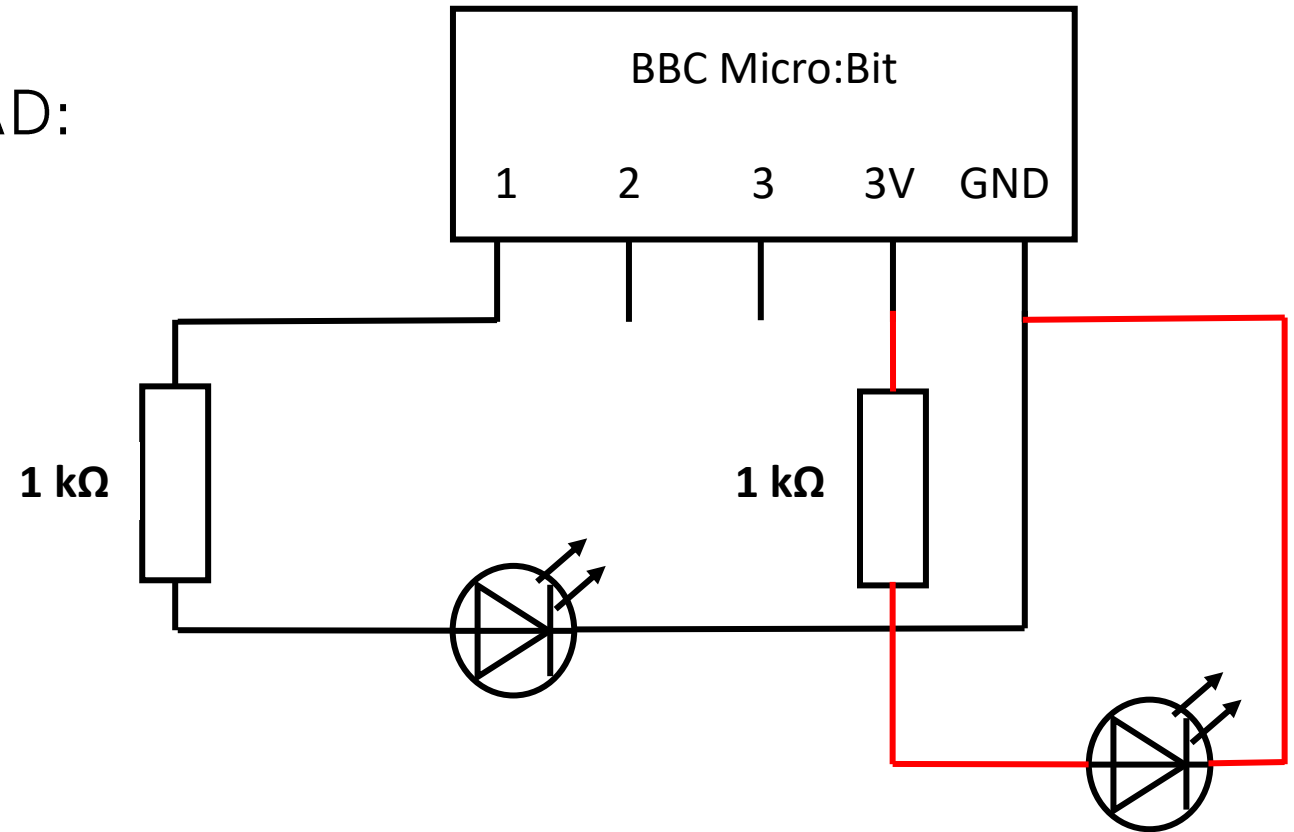
Recreate this circuit in TinkerCAD:

What happens to the brightness of the LED when the light level is changed in the simulation?



GOLD Challenge:

Recreate this circuit in TinkerCAD:

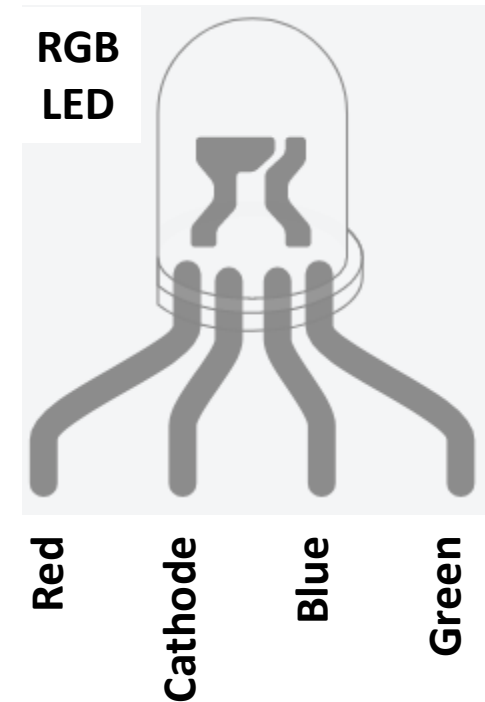


Which LED is programmable? Can you program it to turn on and off using the Micro:Bit's A button?

Extension Challenge:

Create a circuit containing a resistor, a RGB LED, and a Micro:Bit.

Each colour will need to be connected to a different pin on the Micro:Bit.



Extension Challenge:

- Once the circuit is complete, program it so as different Micro:Bit inputs result in the light shining different colours.
- Can you figure out how to make the light shine yellow, magenta, cyan and white?

Thank You
