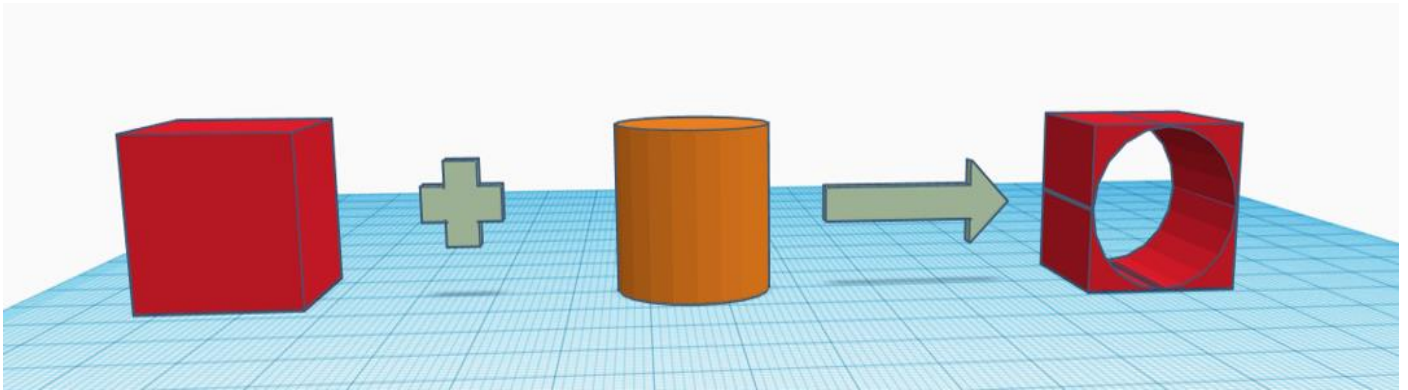


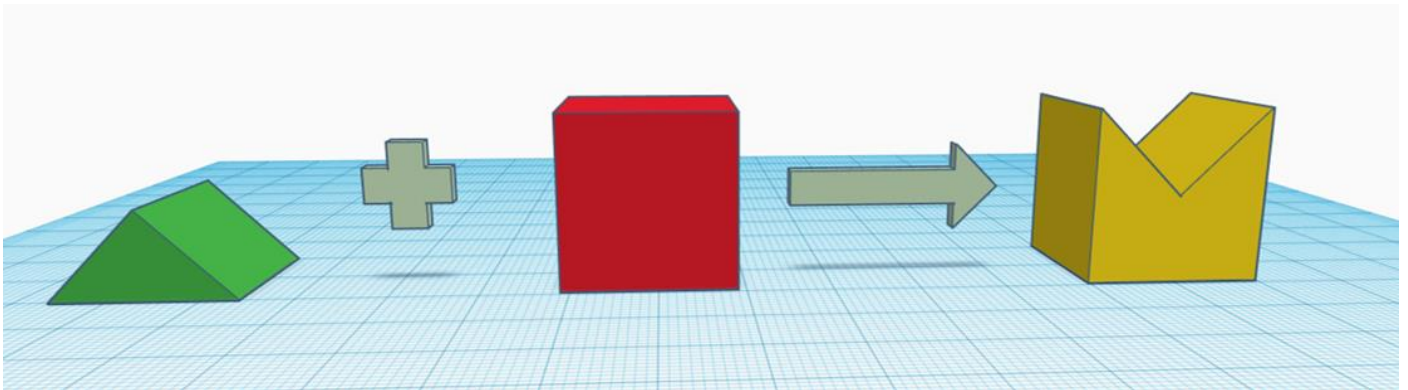
## Tinkercad Shape Challenge

Using the two basic shapes shown on the left, can you create the shape on the right?

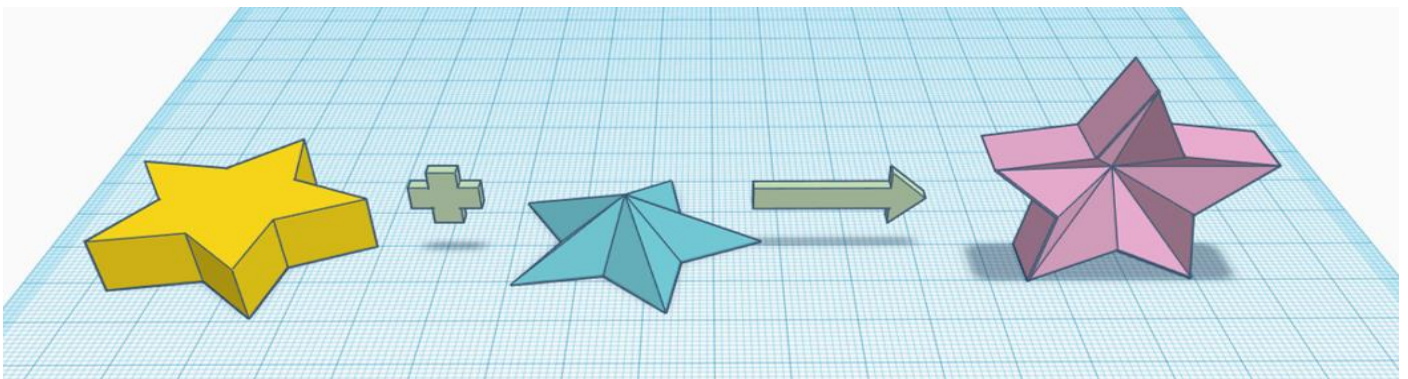
1.



2.

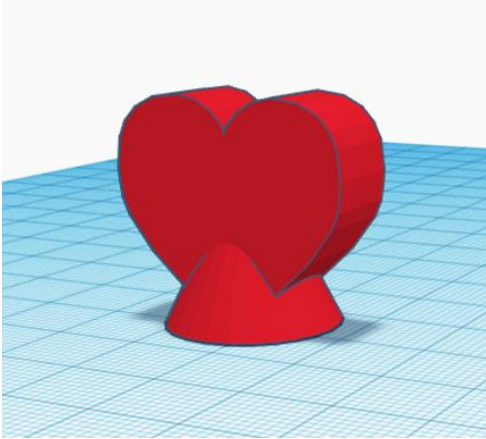


3.

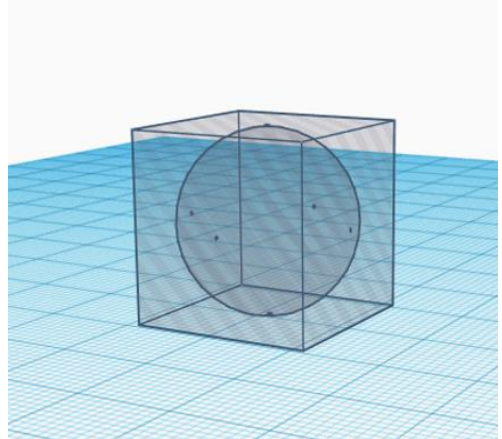


Can you create the following shapes? They each use two shapes from the basic menu.

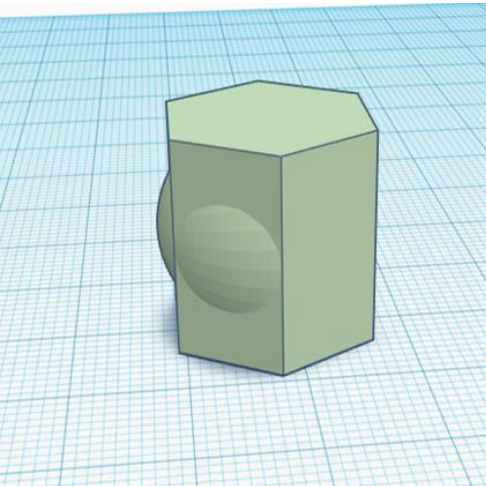
1.



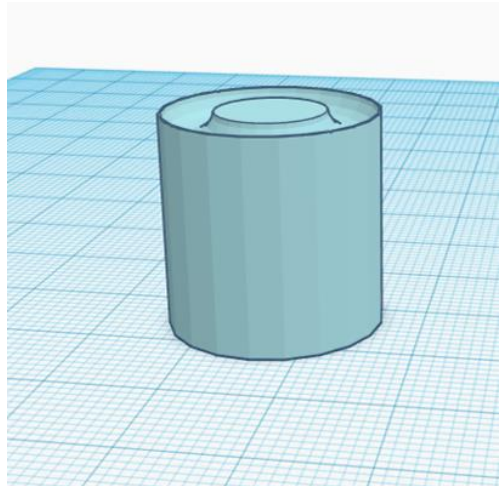
2.



3.



4.



5.

